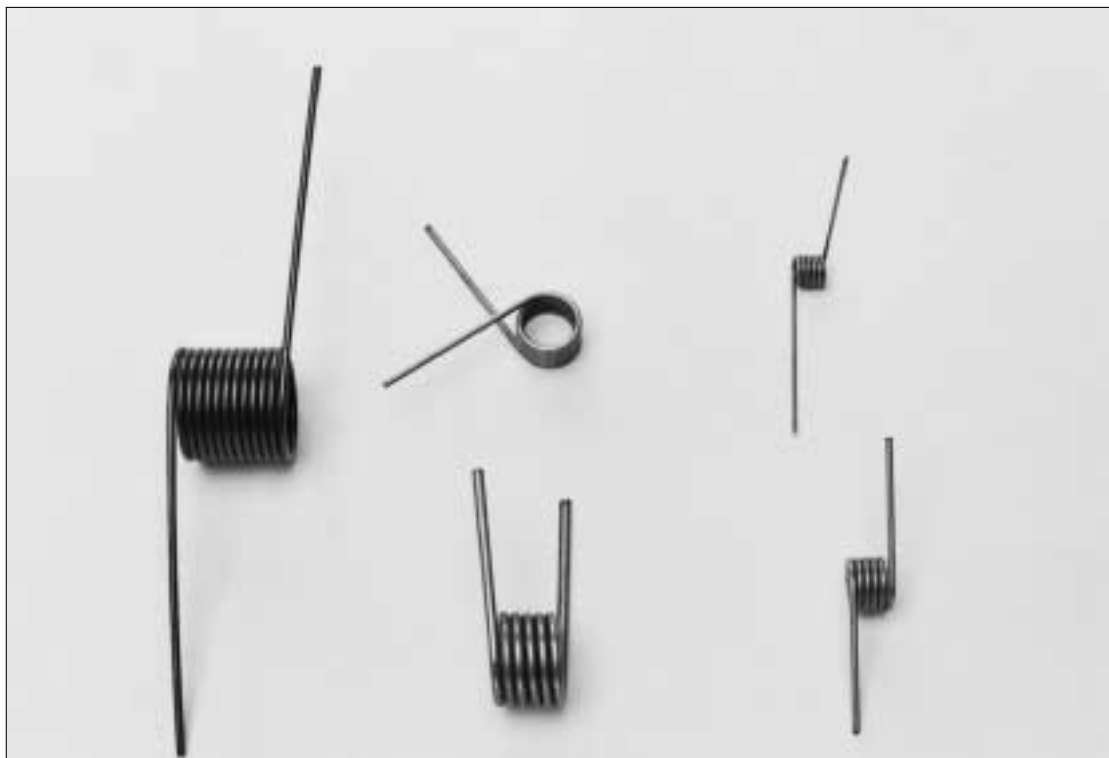


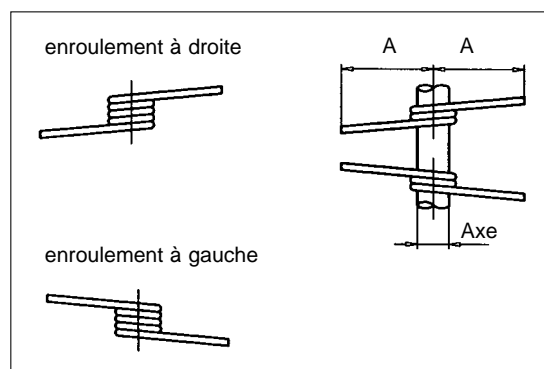
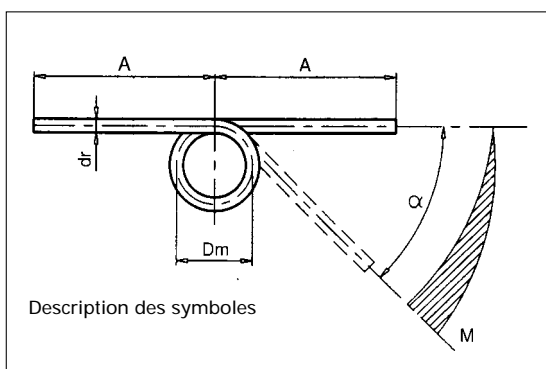
RESSORTS DE TORSION



Les ressorts de torsion Alcomex peuvent être utilisés dans diverses applications et sont livrables sur stock, aussi bien en enroulement à droite qu'à gauche.

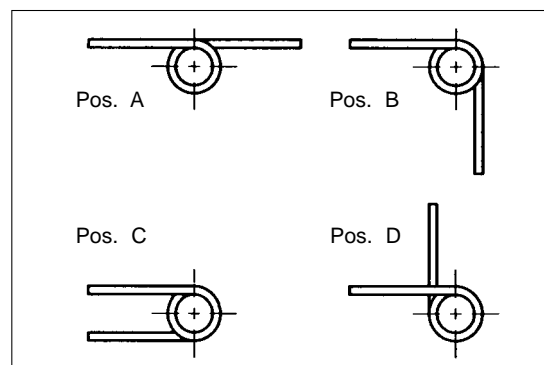
Les ressorts de torsion sont livrables avec 4 différentes positions des bras.

Chaque ressort a son numéro de référence. Lors de votre commande il suffit de nous préciser la quantité et la référence du ressort souhaité.



Description des symboles:

- Dr = diamètre du fil
- Dm = diamètre moyen
- Nw = Nombre de spires utiles
- A = longueur des bras
- α = angle de travail en ($^{\circ}$)
- M = Moment sous angle de travail α en Nmm
- C = raideur en Nmm/ $^{\circ}$



4 positions de bras

RESSORTS DE TORSION

LTO = Acier ressort

TOR = Inox

dr	Dm	nw	A	pos	As	α	M	c	gauche	droite	Cat. Prix	M	c	gauche	droite	Cat. Prix
0,5	3,0	2,0	20	A	2	31	18,0	0,59	TO100L	TO100R	A	16,7	0,54	TOR100L	TOR100R	B
		2,25		B	2	35		0,52	TO110L	TO110R	A		0,48	TOR110L	TOR110R	B
		2,5		C	2	39		0,47	TO120L	TO120R	A		0,43	TOR120L	TOR120R	B
		2,75		D	2	43		0,43	TO130L	TO130R	A		0,39	TOR130L	TOR130R	B
		3,0		A	2	46		0,39	TO140L	TO140R	A		0,36	TOR140L	TOR140R	B
		4,25		B	2	66		0,28	TO150L	TO150R	A		0,25	TOR150L	TOR150R	B
		6,5		C	2	101		0,18	TO160L	TO160R	A		0,17	TOR160L	TOR160R	B
		8,75		D	2	135		0,13	TO170L	TO170R	A		0,12	TOR170L	TOR170R	B
		12,0		A	2	186		0,10	TO180L	TO180R	A		0,09	TOR180L	TOR180R	B
	4,0	2,0	20	A	3	41	18,0	0,44	TO190L	TO190R	A	16,7	0,40	TOR190L	TOR190R	B
		2,25		B	3	46		0,39	TO200L	TO200R	A		0,36	TOR200L	TOR200R	B
		2,5		C	3	52		0,35	TO210L	TO210R	A		0,32	TOR210L	TOR210R	B
		2,75		D	3	57		0,32	TO220L	TO220R	A		0,29	TOR220L	TOR220R	B
		3,0		A	3	62		0,29	TO230L	TO230R	A		0,27	TOR230L	TOR230R	B
		4,25		B	3	88		0,21	TO240L	TO240R	A		0,19	TOR240L	TOR240R	B
		6,5		C	3	134		0,14	TO250L	TO250R	A		0,12	TOR250L	TOR250R	B
		8,75		D	3	180		0,10	TO260L	TO260R	A		0,09	TOR260L	TOR260R	B
		12,0		A	3	248		0,07	TO270L	TO270R	A		0,07	TOR270L	TOR270R	B
	6,5	2,0	20	A	5	67	18,0	0,27	TO280L	TO280R	A	16,7	0,25	TOR280L	TOR280R	B
		2,25		B	5	75		0,24	TO290L	TO290R	A		0,22	TOR290L	TOR290R	B
		2,5		C	5	84		0,22	TO300L	TO300R	A		0,20	TOR300L	TOR300R	B
		2,75		D	5	92		0,20	TO310L	TO310R	A		0,18	TOR310L	TOR310R	B
		3,0		A	5	101		0,18	TO320L	TO320R	A		0,17	TOR320L	TOR320R	B
		4,25		B	5	142		0,13	TO330L	TO330R	A		0,12	TOR330L	TOR330R	B
6,5		C		5	218	0,08		TO340L	TO340R	A	0,08		TOR340L	TOR340R	B	
8,75		D		5	293	0,06		TO350L	TO350R	A	0,06		TOR350L	TOR350R	B	
12,0		A		5	402	0,05		TO360L	TO360R	A	0,04		TOR360L	TOR360R	B	
0,75	4,3	2,0	25	A	3	29	60,0	2,07	TO370L	TO370R	A	54,9	1,91	TOR370L	TOR370R	B
		2,25		B	3	32		1,84	TO380L	TO380R	A		1,69	TOR380L	TOR380R	B
		2,5		C	3	36		1,65	TO390L	TO390R	A		1,53	TOR390L	TOR390R	B
		2,75		D	3	40		1,50	TO400L	TO400R	A		1,39	TOR400L	TOR400R	B
		3,0		A	3	43		1,38	TO410L	TO410R	A		1,27	TOR410L	TOR410R	B
		4,25		B	3	61		0,97	TO420L	TO420R	A		0,90	TOR420L	TOR420R	B
		6,5		C	3	94		0,64	TO430L	TO430R	A		0,59	TOR430L	TOR430R	B
		8,75		D	3	126		0,47	TO440L	TO440R	A		0,44	TOR440L	TOR440R	B
		12,0		A	3	173		0,34	TO450L	TO450R	A		0,32	TOR450L	TOR450R	B
	6,8	2,0	25	A	5	46	60,0	1,31	TO460L	TO460R	A	54,9	1,21	TOR460L	TOR460R	B
		2,25		B	5	51		1,16	TO470L	TO470R	A		1,07	TOR470L	TOR470R	B
		2,5		C	5	57		1,05	TO480L	TO480R	A		0,96	TOR480L	TOR480R	B
		2,75		D	5	63		0,95	TO490L	TO490R	A		0,88	TOR490L	TOR490R	B
		3,0		A	5	68		0,87	TO500L	TO500R	A		0,80	TOR500L	TOR500R	B
		4,25		B	5	97		0,62	TO510L	TO510R	A		0,57	TOR510L	TOR510R	B
		6,5		C	5	148		0,40	TO520L	TO520R	A		0,37	TOR520L	TOR520R	B
		8,75		D	5	199		0,30	TO530L	TO530R	A		0,28	TOR530L	TOR530R	B
		12,0		A	5	273		0,22	TO540L	TO540R	A		0,20	TOR540L	TOR540R	B
	9,8	2,0	25	A	8	66	60,0	0,91	TO550L	TO550R	A	54,9	0,84	TOR550L	TOR550R	B
		2,25		B	8	74		0,81	TO560L	TO560R	A		0,74	TOR560L	TOR560R	B
		2,5		C	8	82		0,73	TO570L	TO570R	A		0,67	TOR570L	TOR570R	B
		2,75		D	8	90		0,66	TO580L	TO580R	A		0,61	TOR580L	TOR580R	B
		3,0		A	8	98		0,60	TO590L	TO590R	A		0,56	TOR590L	TOR590R	B
		4,25		B	8	139		0,43	TO600L	TO600R	A		0,39	TOR600L	TOR600R	B
6,5		C		8	213	0,28		TO610L	TO610R	A	0,26		TOR610L	TOR610R	B	
8,75		D		8	287	0,21		TO620L	TO620R	A	0,19		TOR620L	TOR620R	B	
12,0		A		8	394	0,15		TO630L	TO630R	A	0,14		TOR630L	TOR630R	B	

RESSORTS DE TORSION

LTO = Acier ressort

TOR = Inox

dr	Dm	nw	A	pos	As	α	M	c	gauche	droite	Cat. Prix	M	c	gauche	droite	Cat. Prix
1,0	6,0	2,0		A	4	29	138	4,68	TO640L	TO640R	B	127	4,32	TOR640L	TOR640R	C
		2,25		B	4	33		4,16	TO650L	TO650R	B		3,84	TOR650L	TOR650R	C
		2,5		C	4	37		3,75	TO660L	TO660R	B		3,45	TOR660L	TOR660R	C
		2,75		D	4	40		3,40	TO670L	TO670R	B		3,14	TOR670L	TOR670R	C
		3,0	35	A	4	44		3,12	TO680L	TO680R	B		2,88	TOR680L	TOR680R	C
		4,25		B	4	63		2,20	TO690L	TO690R	B		2,03	TOR690L	TOR690R	C
		6,5		C	4	96		1,44	TO700L	TO700R	B		1,33	TOR700L	TOR700R	C
		8,75		D	4	129		1,07	TO710L	TO710R	B		0,99	TOR710L	TOR710R	C
		12,0		A	4	176		0,78	TO720L	TO720R	B		0,72	TOR720L	TOR720R	C
	8,0	2,0		A	6	39	138	3,51	TO730L	TO730R	B	127	3,24	TOR730L	TOR730R	C
		2,25		B	6	44		3,12	TO740L	TO740R	B		2,88	TOR740L	TOR740R	C
		2,5		C	6	49		2,81	TO750L	TO750R	B		2,59	TOR750L	TOR750R	C
		2,75		D	6	54		2,55	TO760L	TO760R	B		2,36	TOR760L	TOR760R	C
		3,0	35	A	6	59		2,34	TO770L	TO770R	B		2,16	TOR770L	TOR770R	C
		4,25		B	6	83		1,65	TO780L	TO780R	B		1,52	TOR780L	TOR780R	C
		6,5		C	6	127		1,08	TO790L	TO790R	B		1,00	TOR790L	TOR790R	C
		8,75		D	6	172		0,80	TO800L	TO800R	B		0,74	TOR800L	TOR800R	C
		12,0		A	6	235		0,59	TO810L	TO810R	B		0,54	TOR810L	TOR810R	C
	13,0	2,0		A	10	64	138	2,16	TO820L	TO820R	B	127	1,99	TOR820L	TOR820R	C
		2,25		B	10	72		1,92	TO830L	TO830R	B		1,77	TOR830L	TOR830R	C
		2,5		C	10	80		1,73	TO840L	TO840R	B		1,59	TOR840L	TOR840R	C
		2,75		D	10	88		1,57	TO850L	TO850R	B		1,45	TOR850L	TOR850R	C
		3,0	35	A	10	96		1,44	TO860L	TO860R	B		1,33	TOR860L	TOR860R	C
		4,25		B	10	135		1,02	TO870L	TO870R	B		0,94	TOR870L	TOR870R	C
6,5			C	10	207	0,66		TO880L	TO880R	B	0,61		TOR880L	TOR880R	C	
8,75			D	10	279	0,49		TO890L	TO890R	B	0,46		TOR890L	TOR890R	C	
12,0			A	10	382	0,36		TO900L	TO900R	B	0,33		TOR900L	TOR900R	C	
1,25	7,3	2,0		A	5	27	258	9,39	TO910L	TO910R	B	238	8,66	TOR910L	TOR910R	C
		2,25		B	5	31		8,35	TO920L	TO920R	B		7,70	TOR920L	TOR920R	C
		2,5		C	5	34		7,52	TO930L	TO930R	B		6,93	TOR930L	TOR930R	C
		2,75		D	5	38		6,83	TO940L	TO940R	B		6,30	TOR940L	TOR940R	C
		3,0	40	A	5	41		6,26	TO950L	TO950R	B		5,78	TOR950L	TOR950R	C
		4,25		B	5	58		4,42	TO960L	TO960R	B		4,08	TOR960L	TOR960R	C
		6,5		C	5	89		2,89	TO970L	TO970R	B		2,67	TOR970L	TOR970R	C
		8,75		D	5	120		2,15	TO980L	TO980R	B		1,98	TOR980L	TOR980R	C
		12,0		A	5	165		1,57	TO990L	TO990R	B		1,44	TOR990L	TOR990R	C
	10,3	2,0		A	8	39	258	6,66	TO1000L	TO1000R	B	238	6,14	TOR1000L	TOR1000R	C
		2,25		B	8	44		5,92	TO1010L	TO1010R	B		5,46	TOR1010L	TOR1010R	C
		2,5		C	8	48		5,33	TO1020L	TO1020R	B		4,91	TOR1020L	TOR1020R	C
		2,75		D	8	53		4,84	TO1030L	TO1030R	B		4,47	TOR1030L	TOR1030R	C
		3,0	40	A	8	58		4,44	TO1040L	TO1040R	B		4,09	TOR1040L	TOR1040R	C
		4,25		B	8	82		3,13	TO1050L	TO1050R	B		2,89	TOR1050L	TOR1050R	C
		6,5		C	8	126		2,05	TO1060L	TO1060R	B		1,89	TOR1060L	TOR1060R	C
		8,75		D	8	170		1,52	TO1070L	TO1070R	B		1,40	TOR1070L	TOR1070R	C
		12,0		A	8	233		1,11	TO1080L	TO1080R	B		1,02	TOR1080L	TOR1080R	C
	15,3	2,0		A	12	58	258	4,48	TO1090L	TO1090R	B	238	4,13	TOR1090L	TOR1090R	C
		2,25		B	12	65		3,98	TO1100L	TO1100R	B		3,67	TOR1100L	TOR1100R	C
		2,5		C	12	72		3,59	TO1110L	TO1110R	B		3,31	TOR1110L	TOR1110R	C
		2,75		D	12	79		3,26	TO1120L	TO1120R	B		3,01	TOR1120L	TOR1120R	C
		3,0	40	A	12	86		2,99	TO1130L	TO1130R	B		2,76	TOR1130L	TOR1130R	C
		4,25		B	12	122		2,11	TO1140L	TO1140R	B		1,95	TOR1140L	TOR1140R	C
6,5			C	12	187	1,38		TO1150L	TO1150R	B	1,27		TOR1150L	TOR1150R	C	
8,75			D	12	252	1,02		TO1160L	TO1160R	B	0,94		TOR1160L	TOR1160R	C	
12,0			A	12	345	0,75		TO1170L	TO1170R	B	0,69		TOR1170L	TOR1170R	C	

RESSORTS DE TORSION

LTO = Acier ressort

TOR = Inox

dr	Dm	nw	A	pos	As	α	M	c	gauche	droite	Cat. Prix	M	c	gauche	droite	Cat. Prix
1,5	8,5	2,0	45	A	5	26	430	16,73	TO1180L	TO1180R	C	397	15,43	TOR1180L	TOR1180R	D
		2,25		B	5	29		14,87	TO1190L	TO1190R	C		13,72	TOR1190L	TOR1190R	D
		2,5		C	5	32		13,38	TO1200L	TO1200R	C		12,34	TOR1200L	TOR1200R	D
		2,75		D	5	35		12,17	TO1210L	TO1210R	C		11,22	TOR1210L	TOR1210R	D
		3,0		A	5	39		11,15	TO1220L	TO1220R	C		10,29	TOR1220L	TOR1220R	D
		4,25		B	5	55		7,87	TO1230L	TO1230R	C		7,26	TOR1230L	TOR1230R	D
		6,5		C	5	84		5,15	TO1240L	TO1240R	C		4,75	TOR1240L	TOR1240R	D
		8,75		D	5	113		3,82	TO1250L	TO1250R	C		3,53	TOR1250L	TOR1250R	D
		12,0		A	5	154		2,79	TO1260L	TO1260R	C		2,57	TOR1260L	TOR1260R	D
	13,5	2,0	45	A	10	41	430	10,53	TO1270L	TO1270R	C	397	9,72	TOR1270L	TOR1270R	D
		2,25		B	10	46		9,36	TO1280L	TO1280R	C		8,64	TOR1280L	TOR1280R	D
		2,5		C	10	51		8,43	TO1290L	TO1290R	C		7,77	TOR1290L	TOR1290R	D
		2,75		D	10	56		7,66	TO1300L	TO1300R	C		7,07	TOR1300L	TOR1300R	D
		3,0		A	10	61		7,02	TO1310L	TO1310R	C		6,48	TOR1310L	TOR1310R	D
		4,25		B	10	87		4,96	TO1320L	TO1320R	C		4,57	TOR1320L	TOR1320R	D
		6,5		C	10	133		3,24	TO1330L	TO1330R	C		2,99	TOR1330L	TOR1330R	D
		8,75		D	10	179		2,41	TO1340L	TO1340R	C		2,22	TOR1340L	TOR1340R	D
		12,0		A	10	245		1,76	TO1350L	TO1350R	C		1,62	TOR1350L	TOR1350R	D
	18,5	2,0	45	A	15	56	430	7,69	TO1360L	TO1360R	C	397	7,09	TOR1360L	TOR1360R	D
		2,25		B	15	63		6,83	TO1370L	TO1370R	C		6,30	TOR1370L	TOR1370R	D
		2,5		C	15	70		6,15	TO1380L	TO1380R	C		5,67	TOR1380L	TOR1380R	D
		2,75		D	15	77		5,59	TO1390L	TO1390R	C		5,16	TOR1390L	TOR1390R	D
		3,0		A	15	84		5,12	TO1400L	TO1400R	C		4,73	TOR1400L	TOR1400R	D
		4,25		B	15	119		3,62	TO1410L	TO1410R	C		3,34	TOR1410L	TOR1410R	D
		6,5		C	15	182		2,37	TO1420L	TO1420R	C		2,18	TOR1420L	TOR1420R	D
		8,75		D	15	245		1,76	TO1430L	TO1430R	C		1,62	TOR1430L	TOR1430R	D
		12,0		A	15	336		1,28	TO1440L	TO1440R	C		1,18	TOR1440L	TOR1440R	D
	2,0	11,0	2,0	60	A	8	24	990	40,86	TO1450L	TO1450R	C	913	37,68	TOR1450L	TOR1450R
2,25			B		8	27	36,32		TO1460L	TO1460R	C	33,50		TOR1460L	TOR1460R	D
2,5			C		8	30	32,68		TO1470L	TO1470R	C	30,15		TOR1470L	TOR1470R	D
2,75			D		8	33	29,71		TO1480L	TO1480R	C	27,41		TOR1480L	TOR1480R	D
3,0			A		8	36	27,24		TO1490L	TO1490R	C	25,12		TOR1490L	TOR1490R	D
4,25			B		8	51	19,23		TO1500L	TO1500R	C	17,73		TOR1500L	TOR1500R	D
6,5			C		8	79	12,57		TO1510L	TO1510R	C	11,59		TOR1510L	TOR1510R	D
8,75			D		8	106	9,34		TO1520L	TO1520R	C	8,61		TOR1520L	TOR1520R	D
12,0			A		8	145	6,81		TO1530L	TO1530R	C	6,28		TOR1530L	TOR1530R	D
16,0		2,0	60	A	12	35	990	28,09	TO1540L	TO1540R	C	913	25,91	TOR1540L	TOR1540R	D
		2,25		B	12	40		24,97	TO1550L	TO1550R	C		23,03	TOR1550L	TOR1550R	D
		2,5		C	12	44		22,47	TO1560L	TO1560R	C		20,73	TOR1560L	TOR1560R	D
		2,75		D	12	48		20,43	TO1570L	TO1570R	C		18,84	TOR1570L	TOR1570R	D
		3,0		A	12	53		18,73	TO1580L	TO1580R	C		17,27	TOR1580L	TOR1580R	D
		4,25		B	12	75		13,22	TO1590L	TO1590R	C		12,19	TOR1590L	TOR1590R	D
		6,5		C	12	115		8,64	TO1600L	TO1600R	C		7,97	TOR1600L	TOR1600R	D
		8,75		D	12	154		6,42	TO1610L	TO1610R	C		5,92	TOR1610L	TOR1610R	D
		12,0		A	12	211		4,68	TO1620L	TO1620R	C		4,32	TOR1620L	TOR1620R	D
25,0		2,0	60	A	20	55	990	17,98	TO1630L	TO1630R	C	913	16,58	TOR1630L	TOR1630R	D
		2,25		B	20	62		15,98	TO1640L	TO1640R	C		14,74	TOR1640L	TOR1640R	D
		2,5		C	20	69		14,38	TO1650L	TO1650R	C		13,26	TOR1650L	TOR1650R	D
		2,75		D	20	76		13,07	TO1660L	TO1660R	C		12,06	TOR1660L	TOR1660R	D
		3,0		A	20	83		11,98	TO1670L	TO1670R	C		11,05	TOR1670L	TOR1670R	D
		4,25		B	20	117		8,46	TO1680L	TO1680R	C		7,80	TOR1680L	TOR1680R	D
		6,5		C	20	179		5,53	TO1690L	TO1690R	C		5,10	TOR1690L	TOR1690R	D
		8,75		D	20	241		4,11	TO1700L	TO1700R	C		3,79	TOR1700L	TOR1700R	D
		12,0		A	20	330		3,00	TO1710L	TO1710R	C		2,76	TOR1710L	TOR1710R	D

RESSORTS DE TORSION

LTO = Acier ressort

TOR = Inox

dr	Dm	nw	A	pos	As	α	M	c	gauche	droite	Cat. Prix	M	c	gauche	droite	Cat. Prix
2,5	14,5	2,0		A	10	25		75,67	TO1720L	TO1720R	E		69,79	TOR1720L	TOR1720R	F
		2,25		B	10	28		67,26	TO1730L	TO1730R	E		62,04	TOR1730L	TOR1730R	F
		2,5		C	10	31		60,54	TO1740L	TO1740R	E		55,83	TOR1740L	TOR1740R	F
		2,75		D	10	35		55,03	TO1750L	TO1750R	E		50,76	TOR1750L	TOR1750R	F
		3,0	70	A	10	38	1903	50,45	TO1760L	TO1760R	E	1755	46,53	TOR1760L	TOR1760R	F
		4,25		B	10	53		35,61	TO1770L	TO1770R	E		32,84	TOR1770L	TOR1770R	F
		6,5		C	10	82		23,28	TO1780L	TO1780R	E		21,47	TOR1780L	TOR1780R	F
		8,75		D	10	110		17,30	TO1790L	TO1790R	E		15,95	TOR1790L	TOR1790R	F
		12,0		A	10	151		12,61	TO1800L	TO1800R	E		11,63	TOR1800L	TOR1800R	F
	19,5	2,0		A	15	34		56,27	TO1810L	TO1810R	E		51,90	TOR1810L	TOR1810R	F
		2,25		B	15	38		50,01	TO1820L	TO1820R	E		46,13	TOR1820L	TOR1820R	F
		2,5		C	15	42		45,01	TO1830L	TO1830R	E		41,52	TOR1830L	TOR1830R	F
		2,75		D	15	46		40,92	TO1840L	TO1840R	E		37,74	TOR1840L	TOR1840R	F
		3,0	70	A	15	51	1903	37,51	TO1850L	TO1850R	E	1755	34,60	TOR1850L	TOR1850R	F
		4,25		B	15	72		26,48	TO1860L	TO1860R	E		24,42	TOR1860L	TOR1860R	F
		6,5		C	15	110		17,31	TO1870L	TO1870R	E		15,97	TOR1870L	TOR1870R	F
		8,75		D	15	148		12,86	TO1880L	TO1880R	E		11,86	TOR1880L	TOR1880R	F
		12,0		A	15	203		9,38	TO1890L	TO1890R	E		8,65	TOR1890L	TOR1890R	F
	30,5	2,0		A	25	53		35,97	TO1900L	TO1900R	E		33,18	TOR1900L	TOR1900R	F
		2,25		B	25	60		31,98	TO1910L	TO1910R	E		29,49	TOR1910L	TOR1910R	F
		2,5		C	25	66		28,78	TO1920L	TO1920R	E		26,54	TOR1920L	TOR1920R	F
		2,75		D	25	73		26,16	TO1930L	TO1930R	E		24,13	TOR1930L	TOR1930R	F
		3,0	70	A	25	79	1903	23,98	TO1940L	TO1940R	E	1755	22,12	TOR1940L	TOR1940R	F
		4,25		B	25	112		16,93	TO1950L	TO1950R	E		15,61	TOR1950L	TOR1950R	F
6,5			C	25	172		11,07	TO1960L	TO1960R	E		10,21	TOR1960L	TOR1960R	F	
8,75			D	25	231		8,22	TO1970L	TO1970R	E		7,58	TOR1970L	TOR1970R	F	
12,0			A	25	317		6,00	TO1980L	TO1980R	E		5,53	TOR1980L	TOR1980R	F	
3,0	17,0	2,0		A	12	24		133,8	TO1990L	TO1990R	G		123,4	TOR1990L	TOR1990R	H
		2,25		B	12	27		119,0	TO2000L	TO2000R	G		109,7	TOR2000L	TOR2000R	H
		2,5		C	12	30		107,1	TO2010L	TO2010R	G		98,8	TOR2010L	TOR2010R	H
		2,75		D	12	32		97,3	TO2020L	TO2020R	G		89,8	TOR2020L	TOR2020R	H
		3,0	80	A	12	35	3159	89,2	TO2030L	TO2030R	G	2914	82,3	TOR2030L	TOR2030R	H
		4,25		B	12	50		63,0	TO2040L	TO2040R	G		58,1	TOR2040L	TOR2040R	H
		6,5		C	12	77		41,2	TO2050L	TO2050R	G		38,0	TOR2050L	TOR2050R	H
		8,75		D	12	103		30,6	TO2060L	TO2060R	G		28,2	TOR2060L	TOR2060R	H
		12,0		A	12	142		22,3	TO2070L	TO2070R	G		20,6	TOR2070L	TOR2070R	H
	26,0	2,0		A	20	36		87,5	TO2080L	TO2080R	G		80,7	TOR2080L	TOR2080R	H
		2,25		B	20	41		77,8	TO2090L	TO2090R	G		71,7	TOR2090L	TOR2090R	H
		2,5		C	20	45		70,0	TO2100L	TO2100R	G		64,6	TOR2100L	TOR2100R	H
		2,75		D	20	50		63,6	TO2110L	TO2110R	G		58,7	TOR2110L	TOR2110R	H
		3,0	80	A	20	54	3159	58,3	TO2120L	TO2120R	G	2914	53,8	TOR2120L	TOR2120R	H
		4,25		B	20	77		41,2	TO2130L	TO2130R	G		38,0	TOR2130L	TOR2130R	H
		6,5		C	20	117		26,9	TO2140L	TO2140R	G		24,8	TOR2140L	TOR2140R	H
		8,75		D	20	158		20,0	TO2150L	TO2150R	G		18,4	TOR2150L	TOR2150R	H
		12,0		A	20	217		14,6	TO2160L	TO2160R	G		13,5	TOR2160L	TOR2160R	H
	37,0	2,0		A	30	51		61,5	TO2170L	TO2170R	G		56,7	TOR2170L	TOR2170R	H
		2,25		B	30	58		54,7	TO2180L	TO2180R	G		50,4	TOR2180L	TOR2180R	H
		2,5		C	30	64		49,2	TO2190L	TO2190R	G		45,4	TOR2190L	TOR2190R	H
		2,75		D	30	71		44,7	TO2200L	TO2200R	G		41,2	TOR2200L	TOR2200R	H
		3,0	80	A	30	77	3159	41,0	TO2210L	TO2210R	G	2914	37,8	TOR2210L	TOR2210R	H
		4,25		B	30	109		28,9	TO2220L	TO2220R	G		26,7	TOR2220L	TOR2220R	H
6,5			C	30	167		18,9	TO2230L	TO2230R	G		17,5	TOR2230L	TOR2230R	H	
8,75			D	30	225		14,1	TO2240L	TO2240R	G		13,0	TOR2240L	TOR2240R	H	
12,0			A	30	308		10,2	TO2250L	TO2250R	G		9,5	TOR2250L	TOR2250R	H	